

Name  
Number  
Collection

ILFORD WALL LED  
N108  
NAUTIC

# TEKNA

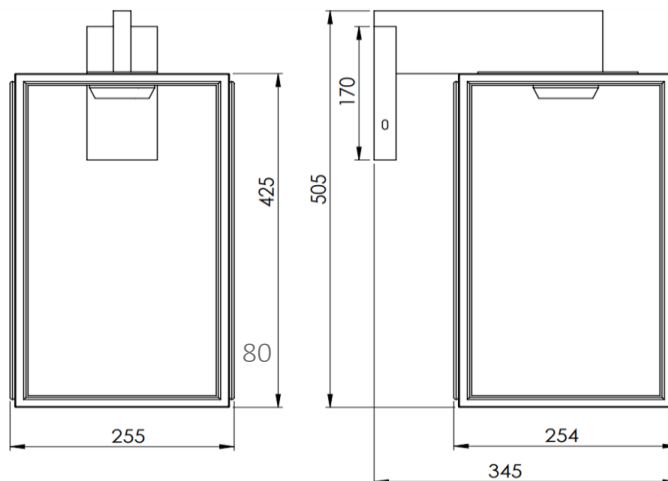
## General

Location	Indoor / Outdoor
Material	Brass / Glass
IP rating	IP65
Class	Zone 3
Bathroom zone	230V
Voltage	No
Driver required	Made to order
Cable Length (m)	255x505x345
Dimensions (mm)	Wall bracket
Mounting method	
Gross Weight (kg)	
Packaging (mm)	
Energy efficiency	



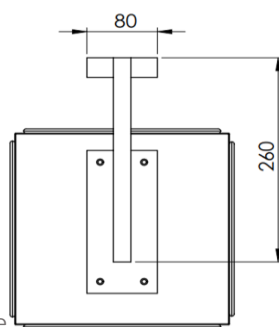
## Lamp

Light source	Included
Number of light sources	LED IP65
Socket type	1
Bulb shape	COB
Max lamp length (mm)	6W
Power consumption	600lm
Luminous flux	2700K
Color temperature	50.000h
CRI	100°
Lifetime	
Beam angle	



## Electrical

Switch (type)	No
Battery	No
Dimmable	.
Dimming range	.
Dimming method	50/60 Hz
Supply frequency	230V
Driver voltage	.
Efficiency	.



Dark Bronze

## Finishes



