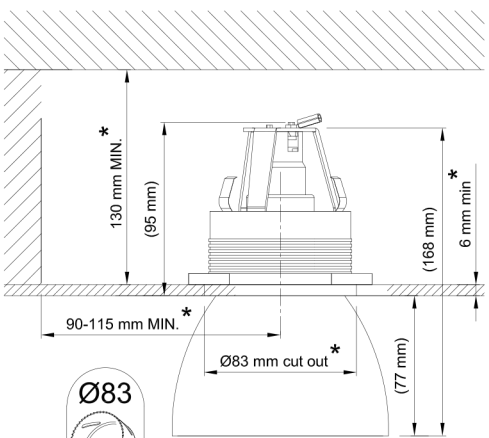



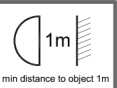
SWITCH OFF
ABSCHALLEN
DISINSERIRE
COUPER LE CONTACT

1



Ø83



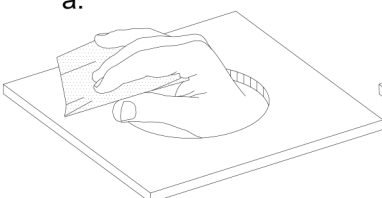


min distance to object 1m

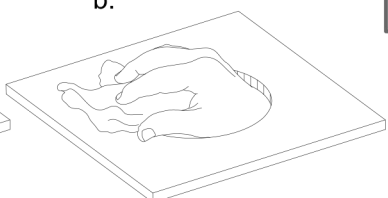
***IMPORTANT**

3

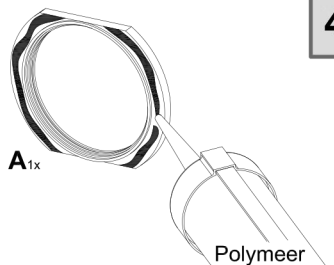
a.



b.



4

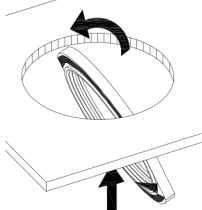


A_{1x}

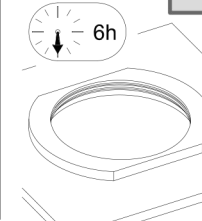
Polymeer

5

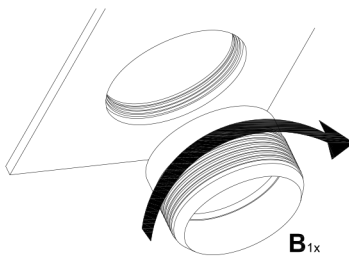
a.



b.

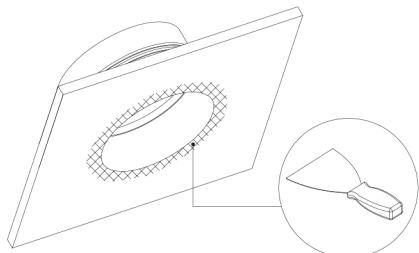



6



B_{1x}


7

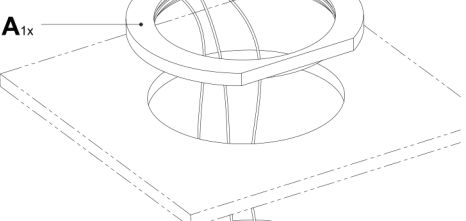
2

220...240V

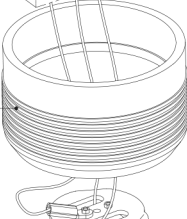
L N



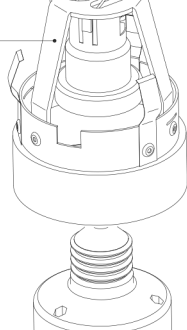
A_{1x}



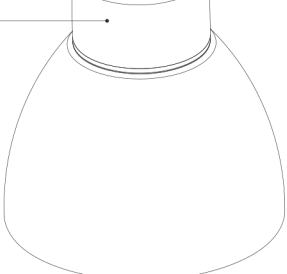
B_{1x}



C_{1x}




D_{1x}



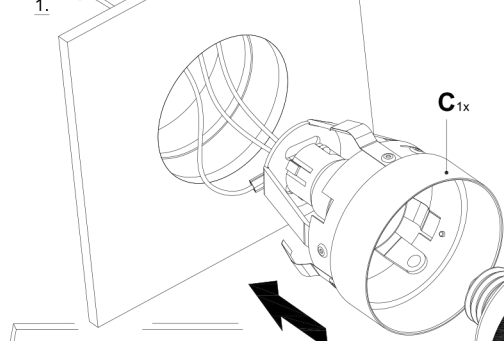
8

220...240V

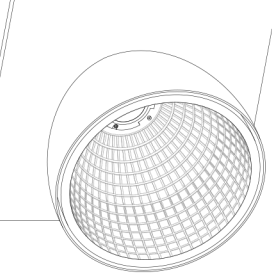
L N



1.



2.



3.

