

Name **SPREADERLIGHT 230V**
 Number **N030**
 Collection **NAUTIC**

TEKNA

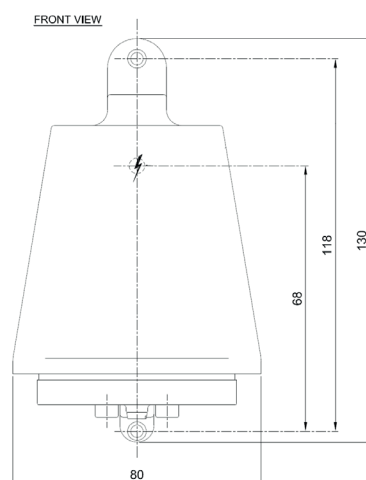
General

Location Indoor/outdoor
 Main material Brass/glass
 IP rating IP 65
 Class I
 Bathroom zone Zone 3
 Voltage 230V
 Driver Required No
 Cable length (m) Internal connection
 Dimensions (mm/ W-H-D) W80mm - H130mm - D85,5mm.
 Mounting method Wall mounting
 Brut weight (kg) 1,5
 Gross weight (kg) 1
 Packing (mm / W-H-D) 180x150x90
 Energy Efficiency % A



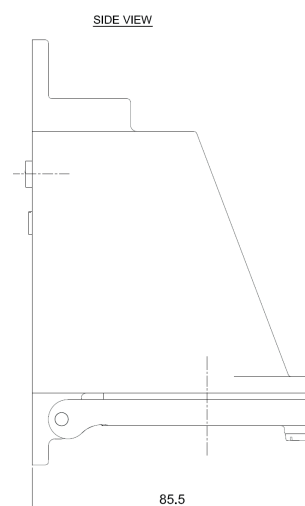
Lamp

Included
 Light source LED module 230V
 Number of light sources .
 Soket Type .
 Bulb shape .
 Max Lamp Length .
 power consumption 4W
 Luminous Flux 316Lm
 Colour Temp 2700K
 CRI 90
 Lifetime .
 Beam angle .



Electrical

Swiched No
 Battery No
 Dimmible Yes
 Dimming Range see dimming list
 Dimming method Phase dimming
 Supply Frequency 50/60Hz
 Driver/Ballast Voltage 220-240V
 Efficacy .



Finishes

Dark Bronze
 Polished Brass
 Rough Dark Bronze
 Polished Chrome Plated Brass
 Brushed Chrome Plated Brass
 Acid Green