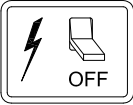
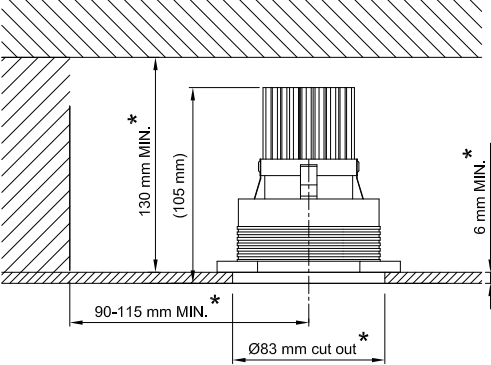


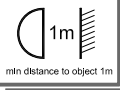
● **TO BE CONNECTED TO AN EXTERNAL POWER SUPPLY**



**1**


SWITCH OFF  
ABSCHALLEN  
DISINSERIRE  
COUPER LE CONTACT



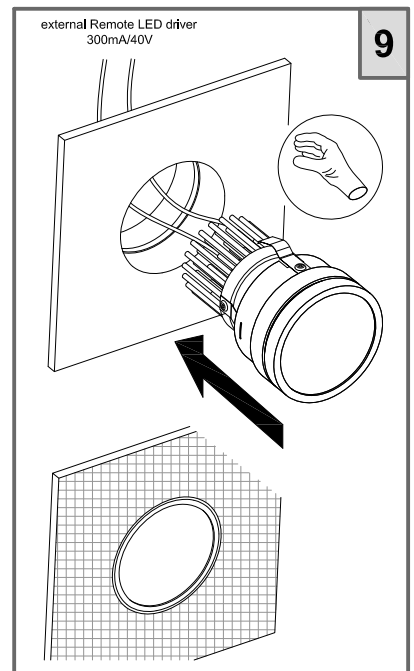
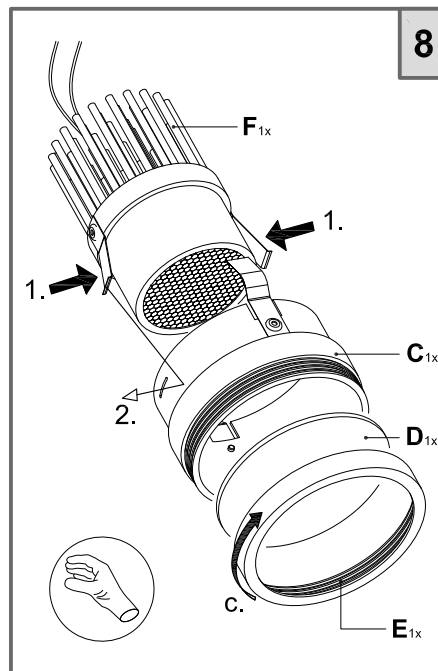
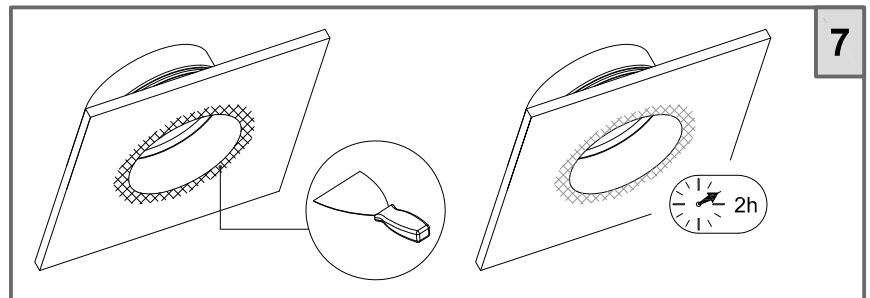
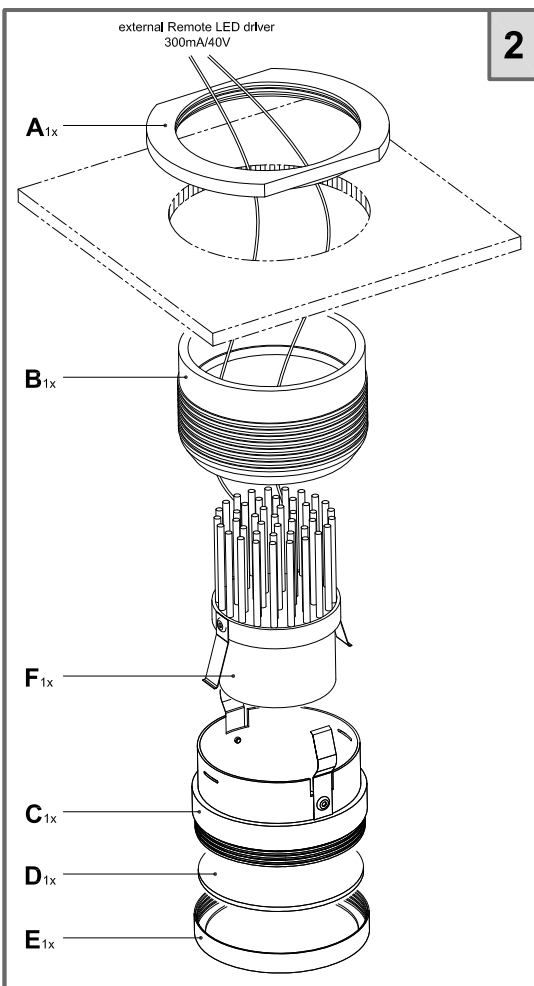
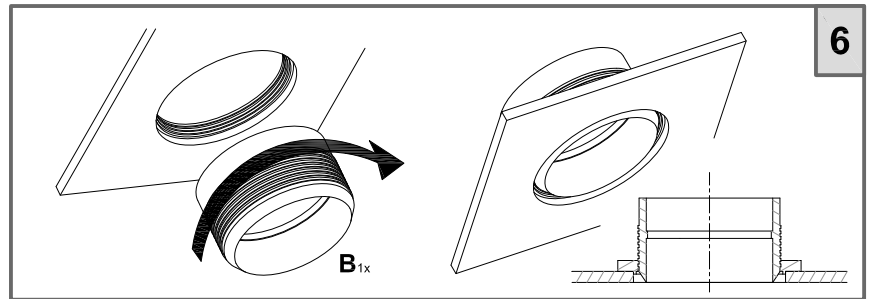
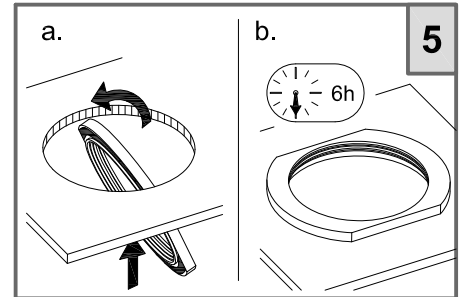
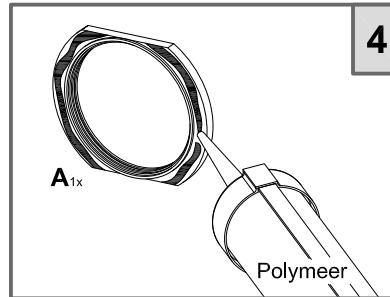
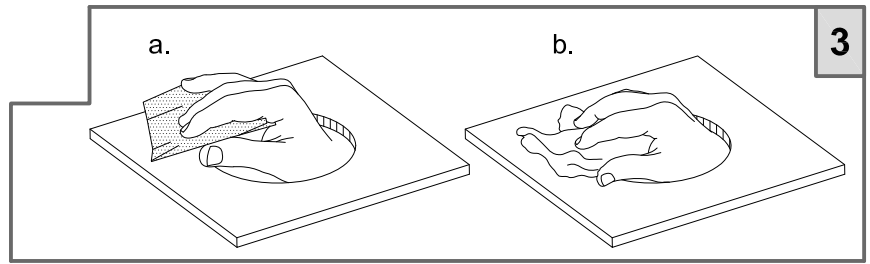


min distance to object 1m

Ø83



**\*IMPORTANT**



# General Installation and Maintenance Procedure

## General Information

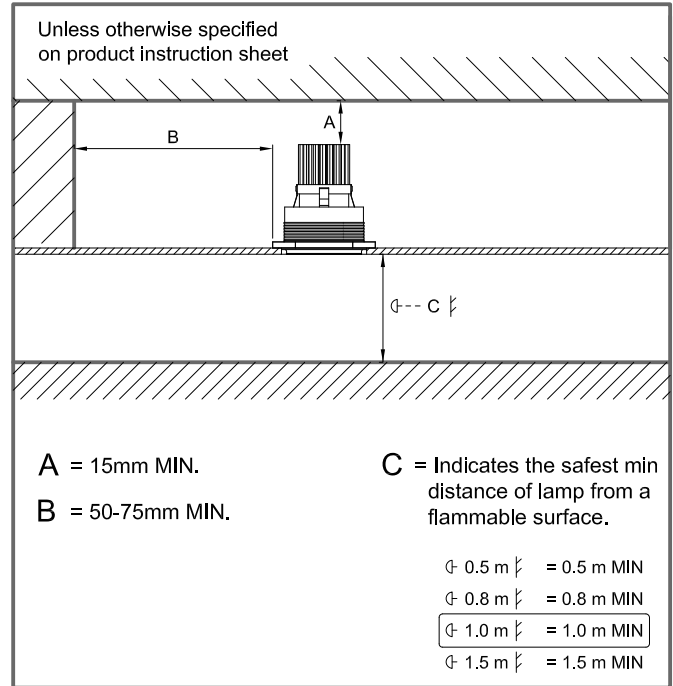
- Follow instruction sheet to ensure safe and reliable operation of product. Retain for future reference.
- The product should NOT be modified. Any modification will negate the safety mark/approvals, and may render the product unsafe.
- TEKNA accepts no responsibility for modified products. Modifications includes devices fitted between the lamp and lamp holder.
- All replacement component should be identical with those replaced. Disposal to be as manufacturer's instructions.

## Installation and Supply

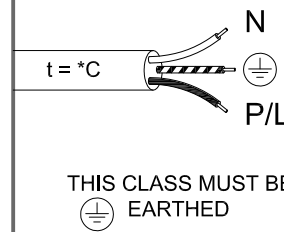
- Unless specified otherwise, all products are IP20 (ordinary). DO NOT operate in damp or corrosive situations.
- Disconnect from mains supply before; Installation, maintenance or replacing fuse or lamp. Care must be taken when drilling holes near existing installation wiring, to avoid electric shock.
- Metal enclosed, CLASS II and Class III products must not be mounted in contact with or close to Earthed metal work, e.g. structural system of suspended ceilings.
- S.E.L.V. - To be used with Double Insulated. Extra Low Voltage, Safety Isolating Transformer only.
- When dimming is required, low voltage fittings should only be operated by a specifically rated dimmer.
- TEKNA accepts no responsibility for the effects of corrosive element in the installation/atmosphere.
- Any closure or ceiling void which prevents normal heat dissipation may cause reduced performance, overheating and risk of fire.

## Maintenance

- Only lamps of correct type and rating should be used, and fully and correctly inserted into the lampholder. Manufacturers instructions should be complied with.
- Certain lamp types (Metal Halide / Tungsten Halogen) reach maximum temperature rapidly. Care must be taken when adjusting or relamping.
- Metal Halide Lamps - Replace failed lamps promptly to avoid ballast damage.
- Replace all cracked or damaged safety glass immediately.
- Regular and careful cleaning is required to ensure optimum performance and safety. TEKNA accepts no responsibility for the effect of solvents used when installing, servicing or redecorating the surround, or for the accumulation of dust and dirt.



### CLASS I

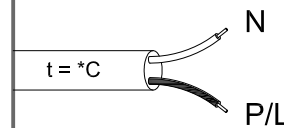


### LEGEND

P/L - BROWN / L / COLOUR RED  
N - BLUE / N / COLOUR BLACK  
E - GREEN / YELLOW / EARTH E / COLOUR GREEN

\* TEMPERATURE RATING OF CABLE

### CLASS II



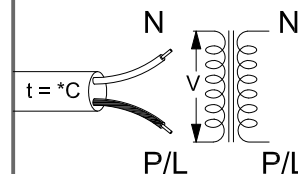
### LEGEND

P/L - BROWN / L / COLOUR RED  
N - BLUE / N / COLOUR BLACK  
E - GREEN / YELLOW / EARTH E / COLOUR GREEN

\* TEMPERATURE RATING OF CABLE

### CLASS III

LOW VOLTAGE



### LEGEND

P/L - BROWN / L / COLOUR RED  
N - BLUE / N / COLOUR BLACK  
E - GREEN / YELLOW / EARTH E / COLOUR GREEN

V - 6V / 12V / 24V AS INDICATED

\* TEMPERATURE RATING OF CABLE