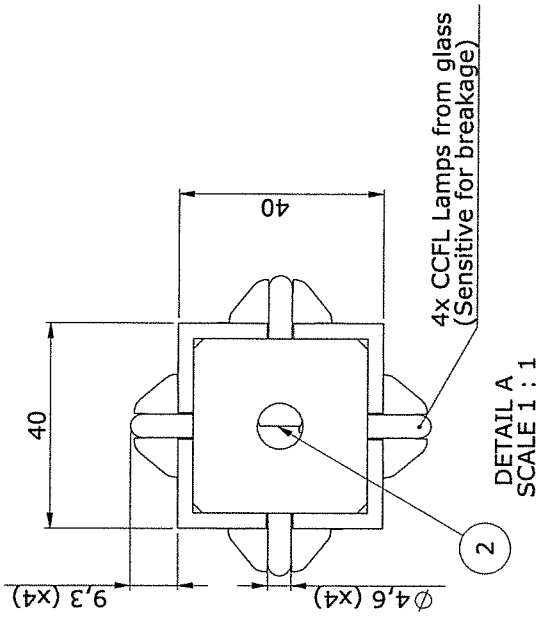


ITEM NO.	PART NUMBER	DESCRIPTION	ART. NO.	QTY.
1	014 0164-2	Koker XL	C0100.2	1
2	015 0023-1	Sub-assembly driver unit Ifford Pendant		1
3	014 0165-3	End cap XL	C0101.1	2
4	014 0212-1	CCFL Ifford Pendant	A0150.1	4
5	015 0018-1	Screw M3x8 DIN965H 4.8	C0110.1	8
6	015 0001-1	Alignment bracket	K0133.1	8



**Overall specification**  
 V typ. : 24VDC  
 P rated : 48W (I=2, 0A)  
 Colour : 2300K  
 CCFL : NDF46 C912/823  
 Driver : Constant current  
 IP rating : IP20  
 Cable length : 4m  
 Power supply : Not included

NDF Special Light Products B.V.  
 Lommerlaan 46, 44  
 4512 CR Breda  
 The Netherlands  
 Tel.: +31 (0)16538630  
 Fax: +31 (0)16538633  
 E-mail: sales@ndf.nl

**NDF**

UNITS : SCALE SHEET PROJECTION TOLERANCES UNLESS OTHERWISE SPECIFIED  
 MM 1:5 1 OF 1 FIRST ANGLE DIM ±0,2 ±0,5,0

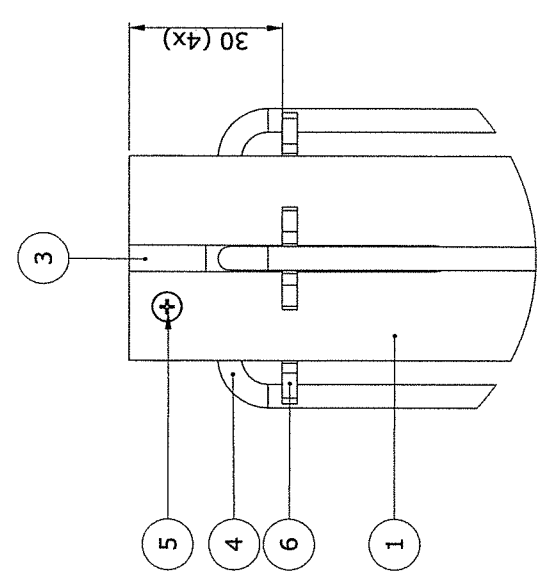
DRAWN P. Siebelink

REMARKS  
 DRAWN DATE 22-3-2017

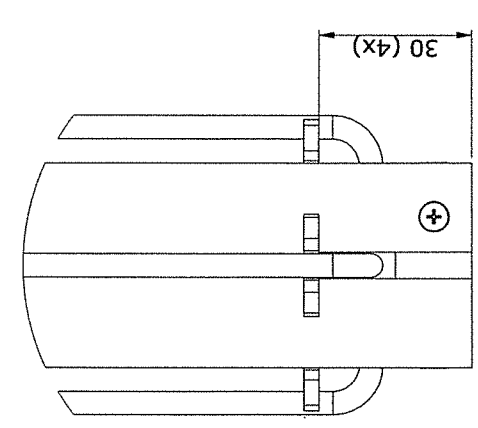
**Assembly Ifford Pendant XL**  
 DRAWING NUMBER 014 0211-3  
 ARTICLE CODE See table

**A3**

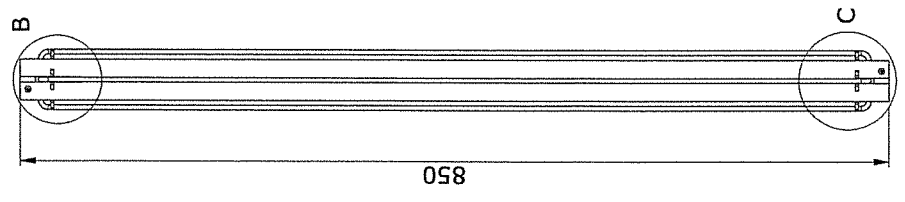
(C) NDF Special Light Products B.V. All rights are reserved. Reproduction in whole or in parts is prohibited without the written consent of the copyright owner.



DETAIL B  
 SCALE 1 : 1



DETAIL C  
 SCALE 1 : 1



DETAIL D  
 SCALE 1 : 1